

Figure 3 Stage 1 radon protection to an in-situ or ground-supported concrete floor (membrane over slab)

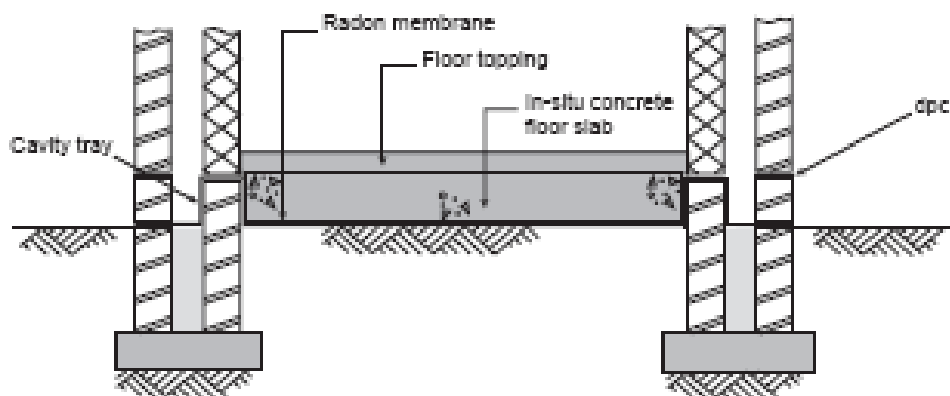


Figure 4 Stage 1 radon protection to an in-situ or ground-supported concrete floor (membrane under slab)

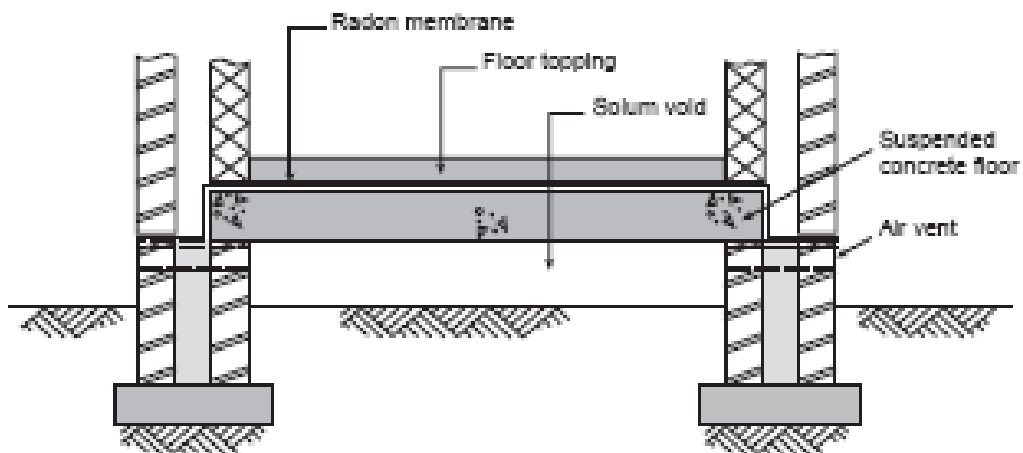


Figure 5 Stage 1 radon protection to a suspended concrete floor

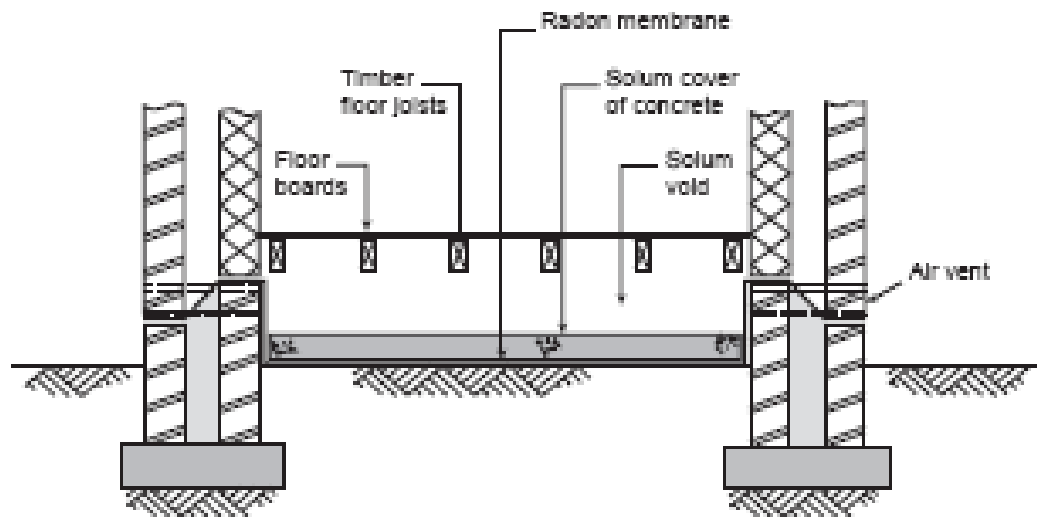


Figure 6 Stage 1 radon protection to a suspended timber floor